

Antenna, Strip

ERF4119

Description

The ERF4119 antenna is a strip antenna with a RP-SMA Male connector. The antenna can also be used in these frequency bands: 2400 ~ 2483.5 MHz and 4900 ~ 5825 MHz.



Technology

- WiFi
- Bluetooth
- Zigbee

Specifications

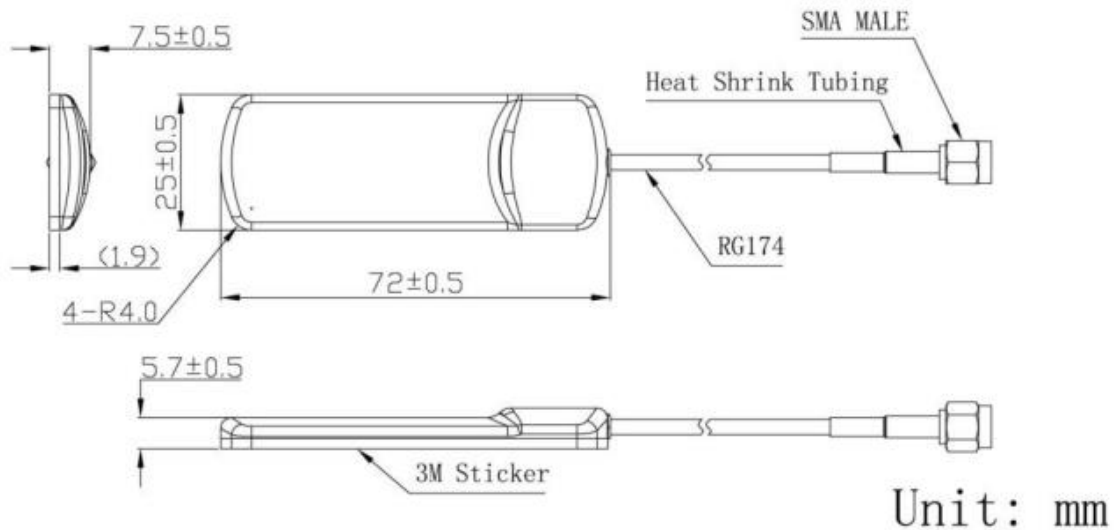
Electrical Properties	Description
Frequency range	2400 ~ 2483.5 MHz 4900 ~ 5825 MHz
Polarization	Linear
Gain	3 dBi
VSWR	< 2.0
Nominal Impedance	50 Ω

Antenna, Strip

ERF4119

Mechanical Properties	Description
Antenna	External Strip
Mouting	Adhesive
Connector Type	RP-SMA (straight) Male
Cable type	RG-174
Cable length	1000 / 2000 mm
Dimensions	72 x 25 x 7.5 mm (L x W x H) See dimensional drawing
Operational Temperature	-40°C ~ +85°C
Vibration	10 to 55 Hz with 1.5 mm amplitude 2 hours
Environment	RoHS Compliant

Dimensions



Antenna, Strip

ERF4119

Connector



SMA Male



SMA Female



RP-SMA Male



RP-SMA Female

The ERF4119 antenna uses a RP-SMA straight Male connector.

Ordering information

Ordering can be done via www.summit-electronics.com or via info@summit-electronics.com. Please contact us for more information. Customization of the product is available on request.

Technical support

For all product questions please contact us via info@summit-electronics.com

Document revision

Rev	Date	Changes
V01.00	06-04-2023	First issue of document